

PTFE Expansion Joint (Braced) Guards

Ideal for Acid / Caustic / EI15 Oil and Diesel mist prevention

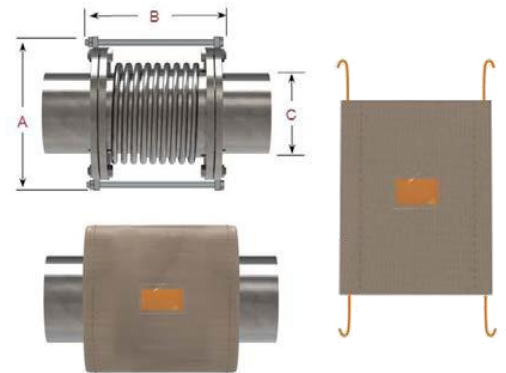
The PTFE shield is manufactured from 3 layers of Teflon coated fibreglass, with an additional thick Teflon central scrim for added strength. All stitching is 100% Teflon coated fibreglass thread.

The easy to fit, lock tight, fastening system comprises a Velcro strip coupled with a braided 100% Teflon coated fibreglass draw string. When tightened, the fabric is drawn over the flange bolts toward the pipe wall thus eliminating a lateral spray out.

For a detailed quotation please confirm key dimensions "A" "B" & "C" below.

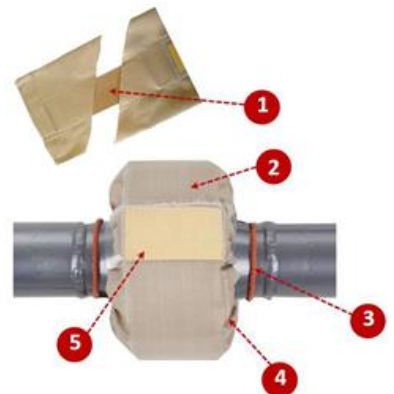
Specification

Cloth	: PTFE coated fibreglass
Stitching	: PTFE coated fibreglass
Pull cords	: PTFE coated fibreglass
Max. Temperature	: 232 Deg C
Flange Ratings	: ANSI / DIN / BS Sizes : ½" to 48"
Leak Detection	: Visual Litmus paper
Typical Applications	: Oil (fuel,lube,seal, etc) Acids, Caustics, Corrosives



Key Features

1. Central Thick Scrim Material
Added safety. Without this, a high-pressure release can split the outer shield material, creating spray and mist.
2. Permeable Teflon Material
Ensures leaking liquid is drawn away from the flange, thus avoiding corrosion (especially in acid duty). Some "non- permeable" shield designs can hold corrosive liquids against the flange.
3. Teflon Coated Pull Cord
Provides a strong, re-usable tie down.
4. Teflon Thread
Better resistance against corrosive atmospheres. Other shields use cotton threads which disintegrate quickly.
5. Litmus Paper Indicator Patch
Quick, visual indication of a leak.



Delivery

Most shield materials and sizes are available ex-stock.
Call 01268 244369 or e-mail sales@flangeguards.com.



Revision date: 20th January 2021