

## PTFE Coupling, T-Piece & Elbow Guards

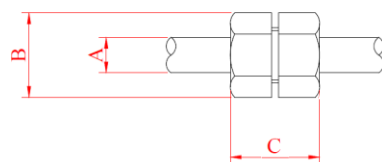
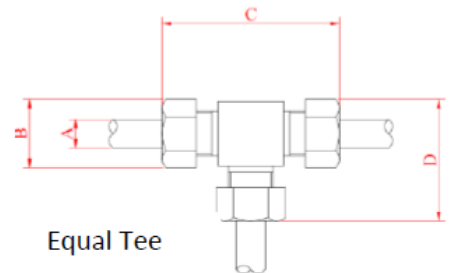
**Ideal for Acid / Caustic / EI15 Oil and Diesel mist prevention**

The PTFE shield is manufactured from 3 layers of Teflon coated fibreglass, with an additional thick Teflon central scrim for added strength. All stitching is 100% Teflon coated fibreglass thread.

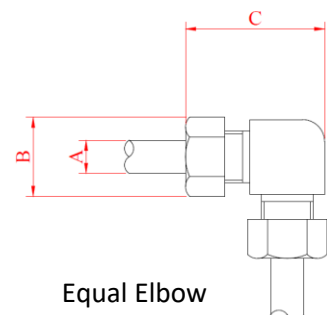
The easy to fit, lock tight, fastening system comprises a Velcro strip coupled with a braided 100% Teflon coated fibreglass draw string. When tightened, the fabric is drawn over the flange bolts toward the pipe wall thus eliminating a lateral spray out.

### Specification

Cloth	:	PTFE coated fibreglass
Stitching	:	PTFE coated fibreglass
Pull cords	:	PTFE coated fibreglass
Max. Temperature	:	232 Deg C
Flange Ratings	:	ANSI / DIN / BS
Leak Detection	:	Visual Litmus paper



Couplings / Unions



Equal Elbow



### Delivery

Most shield materials and sizes are available ex-stock.  
Call 01268 244369 or e-mail [sales@flangeguards.com](mailto:sales@flangeguards.com).

Revision date: 20<sup>th</sup> January 2021



LEADING MANUFACTURER AND SUPPLIER  
OF PIPE SAFETY SHIELDS

**FLANGE GUARDS.com**

Flangeguards Ltd. Unit 5 Cranes Close, Basildon, Essex SS14 3JB United Kingdom