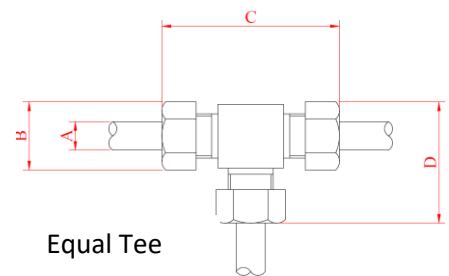


## PTFE Clear Coupling, T-Piece & Elbow Guards

Ideal for Acid / Caustic / EI15 Oil and Diesel mist prevention

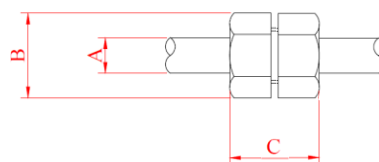
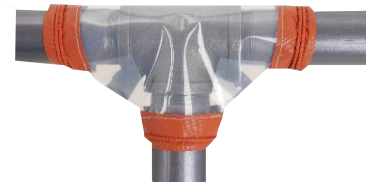
The PTFE-Clear shield is manufactured from Teflon coated fibreglass, with wide central band of clear Teflon (ECTFE). This permits visual inspection of the valve and any leaking fluid.

The easy to fit, lock tight, fastening system comprises a Velcro strip coupled with a braided 100% Teflon coated fibreglass draw string. When tightened the fabric is drawn over the flange bolts toward the pipe wall thus eliminating a lateral spray out. For a detailed quotation please confirm dimensions below.

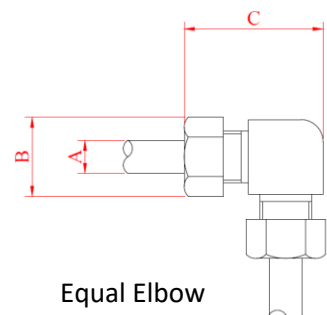


### Specification

Orange Cloth	:	PTFE coated fibreglass
Central Section	:	100% ECTFE
Stitching	:	PTFE coated fibreglass
Pull Cords	:	PTFE coated fibreglass
Max. Temperature	:	150 Deg C
Flange Ratings	:	ANSI / DIN / BS



Couplings / Unions



### Delivery

Most shield materials and sizes are available ex-stock.  
Call 01268 244369 or e-mail [sales@flangeguards.com](mailto:sales@flangeguards.com).

Revision date: 20<sup>th</sup> January 2021

