

PTFE Ball Valve Guards

Ideal for Acid / Caustic / EI15 Oil and Diesel mist prevention

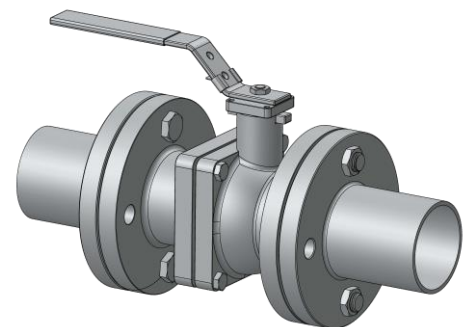
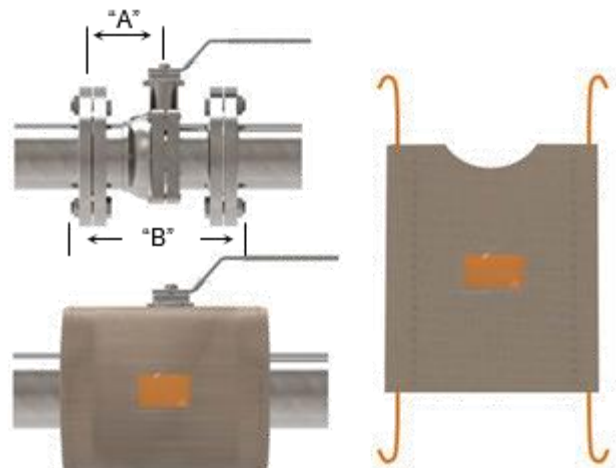
The PTFE shield is manufactured from 3 layers of Teflon coated fibreglass, with an additional thick Teflon central scrim for added strength. All stitching is 100% Teflon coated fibreglass thread.

The easy to fit, lock tight, fastening system comprises a Velcro strip coupled with a 100% braided Teflon coated fibreglass draw string. When tightened, the fabric is drawn over the flange bolts toward the pipe wall thus eliminating a lateral spray out.

For a detailed quotation please confirm Pipe NB / Rating & "A" / "B" dimension.

Specification

Cloth	:	PTFE coated fibreglass
Stitching	:	PTFE coated fibreglass
Pull cords	:	PTFE coated fibreglass
Max. Temperature	:	232 Deg C
Flange Ratings	:	ANSI / DIN / BS
Sizes	:	½" to 48"
Leak Detection	:	Visual Litmus paper
Typical Applications	:	Oil (fuel,lube,seal, etc) Acids, Caustics, Corrosives



Delivery

Most shield materials and sizes are available ex-stock.
Call 01268 244369 or e-mail sales@flangeguards.com.

Revision date: 20th January 2021

