

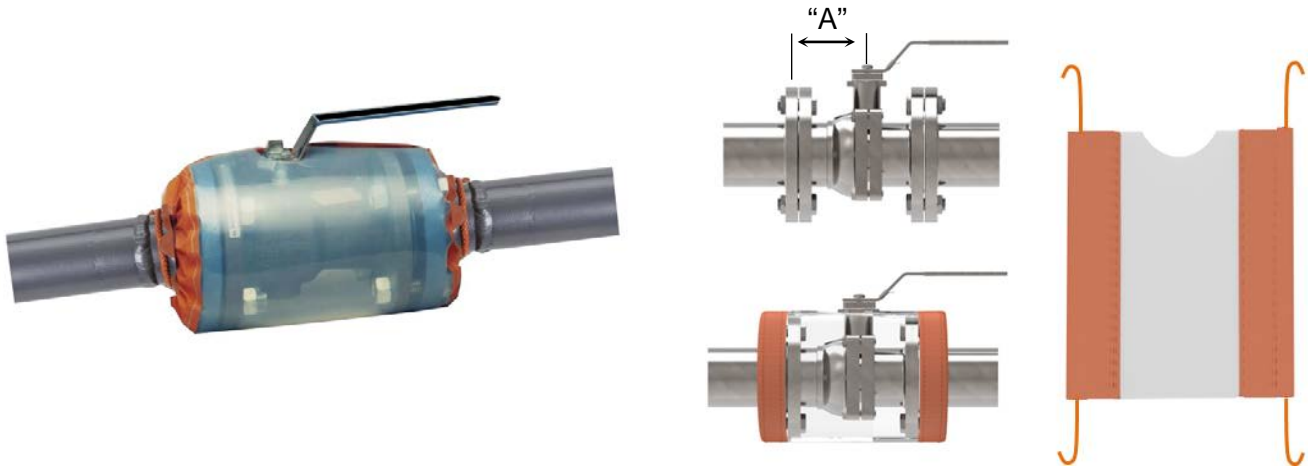
Data Sheet – PTFE Clear Ball Valve Guards

Ideal for Acid / Caustic / E15 Oil and Diesel mist prevention

The PTFE-Clear shield is manufactured from Teflon coated fibreglass, with wide central band of clear Teflon (ECTFE). This permits visual inspection of the expansion joint. Stitching is Teflon coated glass thread.

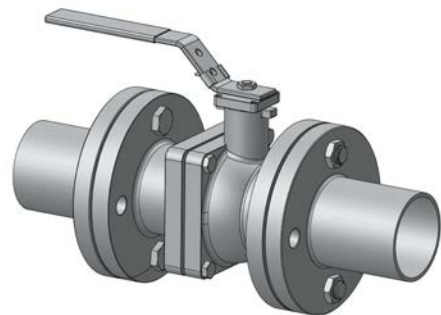
The easy to fit, lock tight, fastening system comprises a Velcro strip coupled with a braided 100% Teflon coated fibreglass draw string. When tightened the fabric is drawn over the flange bolts toward the pipe wall thus eliminating a lateral spray out.

For a detailed quotation please confirm Pipe NB / Rating & “A” dimension



Specification

Material	:	PTFE + ECTFE
Stitching	:	PTFE
Draw strings	:	PTFE
Max. Temperature	:	150 Deg C
Flange Ratings	:	ANSI / DIN / BS
Sizes	:	½” to 48”
Leak Detection	:	Visual
Typical Applications	:	Oil (fuel,lube,seal, etc) Acids, Caustics, Corrosives



Flangeguards Ltd

Unit 5, Cranes Close,
Basildon,
Essex, SS14 3JB
01268 244369
sales@flangeguards.com

Delivery

Most shield materials and sizes are available ex-stock; however, in case of low availability delivery may take 2 - 4 working weeks.

Call 01268 244369 to confirm current stock levels – or e-mail sales@flangeguards.com