

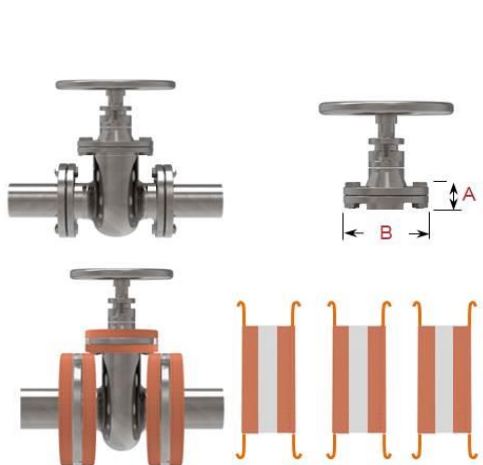
PTFE Clear – 3 Piece Valve Guards

Ideal for Acid / Caustic / EI15 Oil and Diesel mist prevention

The PTFE-Clear shield is manufactured from Teflon coated fibreglass, with wide central band of clear Teflon (ECTFE). This permits visual inspection of the valve and any leaking fluid.

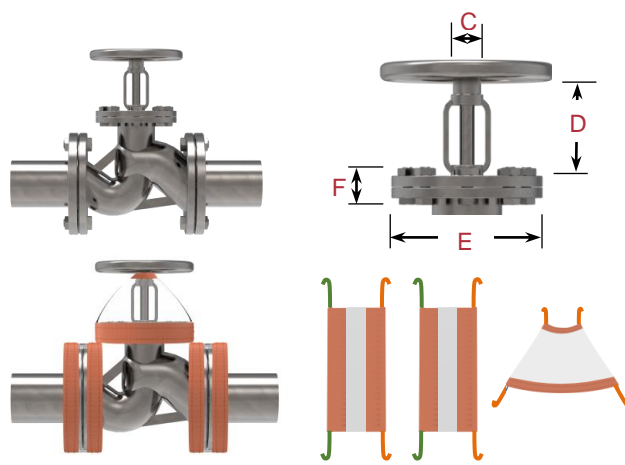
Specification

Orange Cloth	:	PTFE coated fibreglass
Central Section	:	100% ECTFE
Stitching	:	PTFE coated fibreglass
Pull Cords	:	PTFE coated fibreglass
Max. Temperature	:	150 Deg C
Flange Ratings	:	ANSI / DIN / BS
Sizes	:	½" to 48"
Leak Detection	:	Visual
Typical Applications	:	Oil (fuel,lube,seal, etc) Acids, Caustics, Corrosives



Globe Valve

Comprises 3 separate Flange guards, please confirm Pipe NB, pressure rating and "A" / "B" dimension. If the upper flange is square please advise total perimeter

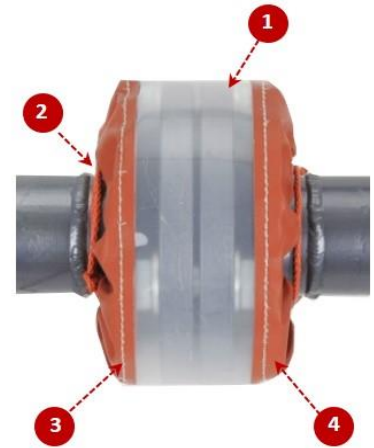


Gate / Knife Valve

Comprises 3 separate guards, 2 x Flange guards and 1 x Bonnet guard. Please confirm Pipe NB / pressure rating and "C", "D", "E", "F" dimension

Key features

1. Central Clear ECTFE Material
Added safety & continued visual inspection. Other shield designs use FEP as clear section, which can 'cloud' over time, becoming opaque, and difficult to see through.
2. Teflon Coated Pull Cord
Provides a strong, re-usable tie down.
3. Teflon Thread
Better resistance against corrosive atmospheres. Other shields use cotton threads which disintegrate quickly.
4. Highly Visible Orange PTFE Teflon Material
Provides a strong, corrosion resistant material to hold the ECTFE in place & wrap tight against the pipe wall.



Delivery

Most shield materials and sizes are available ex-stock.
Call 01268 244369 or e-mail sales@flangeguards.com.

Revision date: 20th January 2021



LEADING MANUFACTURER AND SUPPLIER
OF PIPE SAFETY SHIELDS

 **FLANGE GUARDS.com**

Flangeguards Ltd. Unit 5 Cranes Close, Basildon, Essex SS14 3JB United Kingdom